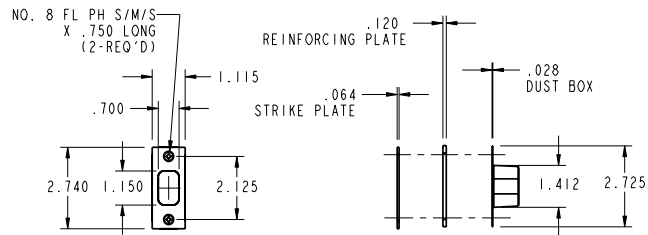
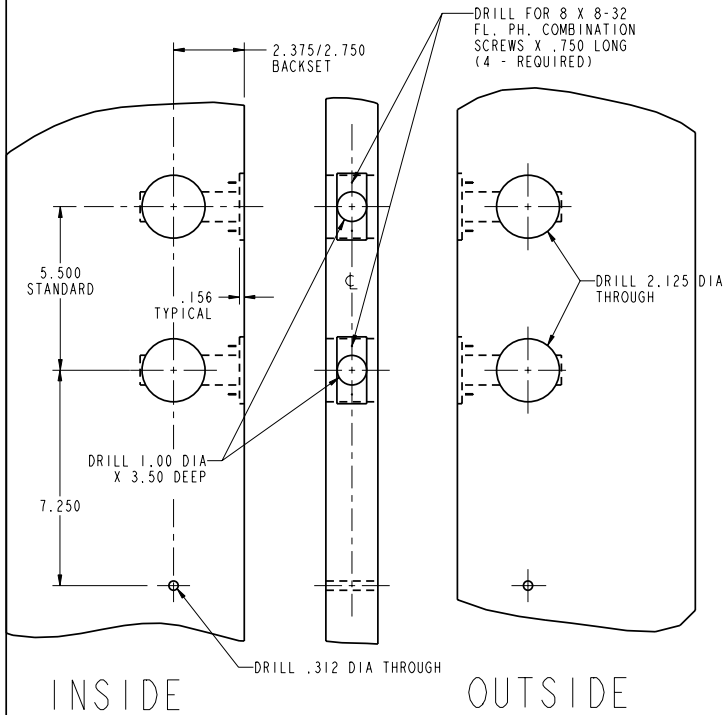
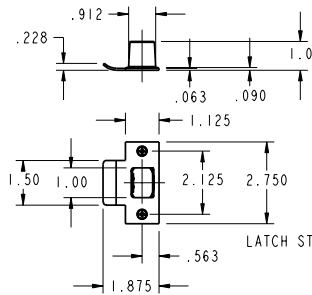


# DOOR DETAIL



DEADBOLT STRIKE, REINFORCEMENT PLATE & DUST BOX DETAIL



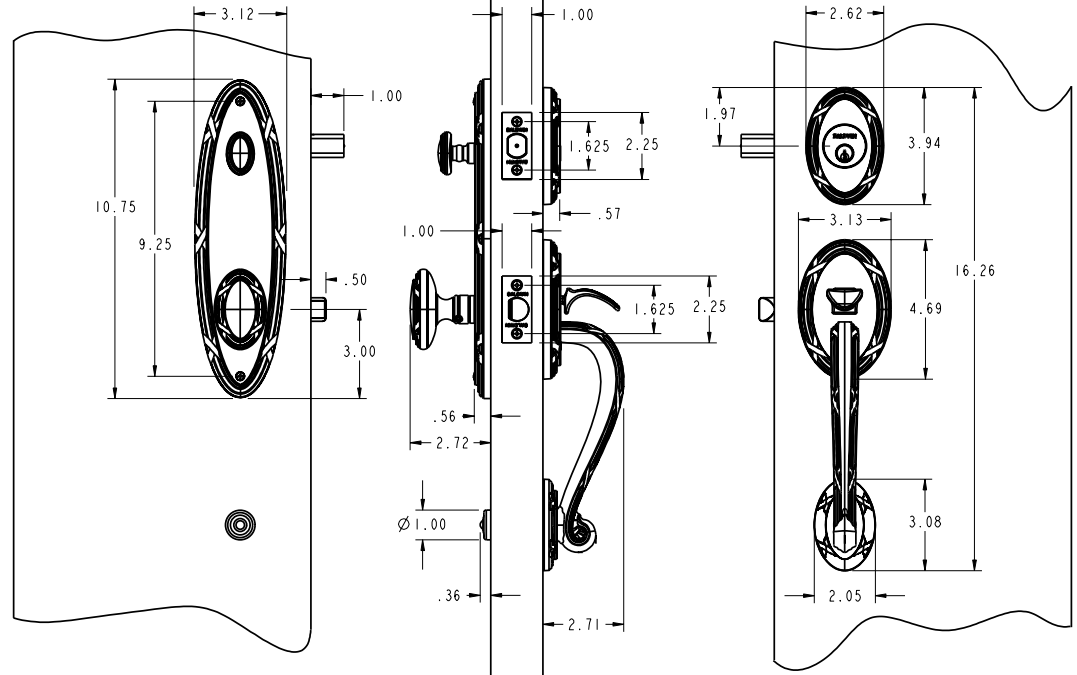
LATCH STRIKE & DUST BOX DETAIL

DO NOT SCALE DRAWING

# TRIM DETAIL

INSIDE

OUTSIDE



|                                       |  |                                      |
|---------------------------------------|--|--------------------------------------|
|                                       | <b>BALDWIN</b><br>HARDWARE CORPORATION<br><small>READING, PENNSYLVANIA</small> | <b>BLACK &amp; DECKER</b><br>COMPANY |
|                                       | <b>6415 - ENTR</b>   |                                      |
| TEMPLATE: NO VARIATIONS               |  | TEMPLATE NO.                         |
| ©2006 BY BALDWIN HARDWARE CORPORATION |  | <b>IM068</b>                         |

EFFECTIVE 02/07/07