

- Parts Enclosed:**
- 1. Mounting hardware
  - 2. Lantern Fixture(s)
  - 3. Socket Covers

- Tools Needed:**
- 1. Blade screw driver
  - 2. Pliers
  - 3. Step ladder
  - 4. Wire cutters
  - 5. Wiring supplies as required by electrical code

**READ AND SAVE THESE INSTRUCTIONS**

**CAUTION:**  
Before installing your light fixture, refer to the section titled Electrical Connections. If you feel you do not have electrical wiring experience, refer to a do-it-yourself wiring handbook or have your fixture installed by a qualified licensed electrician.

- General:**
1. Read all instructions and review diagrams before beginning the installation of this fixture.
  2. All electrical connections must be in accordance with local codes, ordinances, or the National Electrical Code. If you are unfamiliar with methods of electrical wiring, secure the services of a qualified licensed electrician.
  3. Before starting the installation, disconnect the power by turning off the circuit breaker or removing the fuse at the fuse box.

**BEFORE BEGINNING INSTALLATION**

1. Turn off the electricity to the lamp post at the circuit breaker or fuse box.
2. If you are replacing an existing fixture, remove the old fixture and expose the supply wiring from inside the post.

Electrical Connections

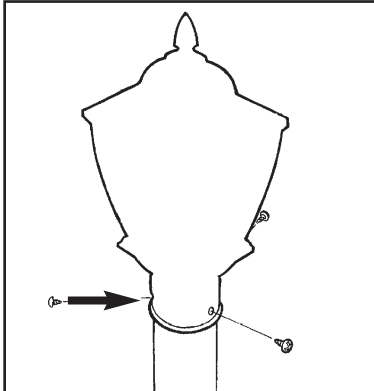
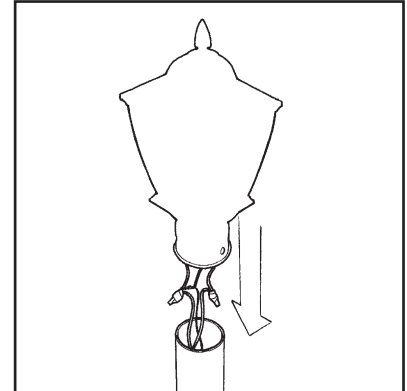
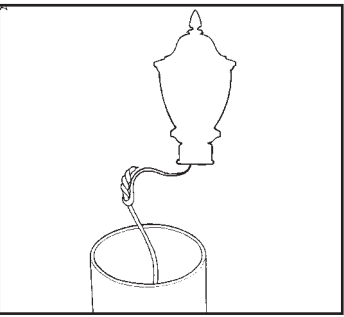
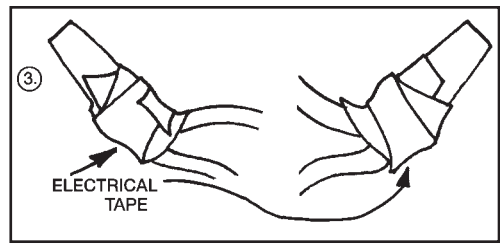
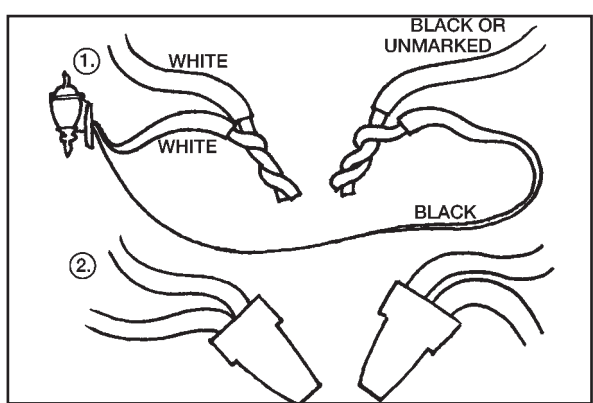
1. While supporting the fixture, connect the white wire from the fixture to the white or marked wire of the supply circuit.
2. Connect the black fixture wire to the black supply wire. Connect the ground wire (bare copper wire) to the ground conductor of the supply circuit. Secure with UL listed wire connectors suitable for the size, type, and number of wires. Make sure that there are no loose strands of wire and that there are no loose connections.
3. Secure the wire connectors with UL listed electrical tape. Continue Installing Fixture (see below).

**HINT:** Position wire nuts in upright position to prevent water from pooling.

4. Tuck the electrical wires connections inside the post and mount the lantern on top.

5. Secure lantern in place using the three sheet metal screws provided. Do not over tighten the screws.

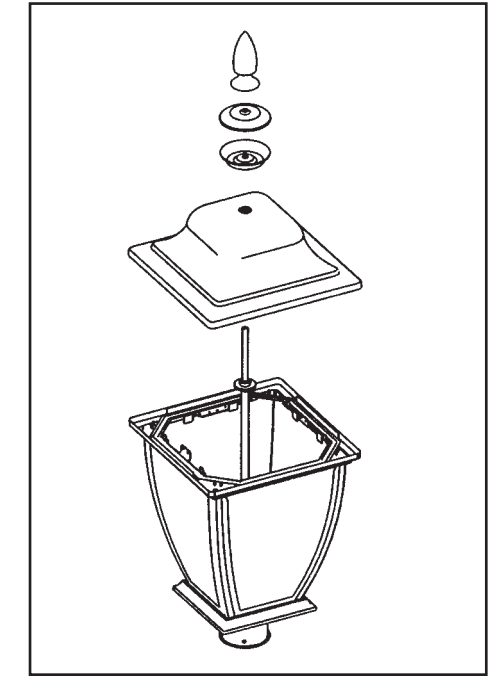
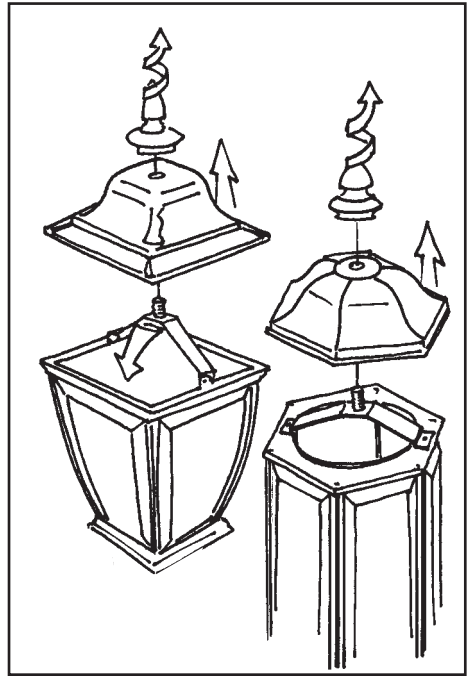
6. Install the light bulb(s). Do not exceed the maximum wattage for this fixture. Refer to wattage warning label attached to the fixture for maximum allowable wattage.
7. Restore the electricity to the fixture.



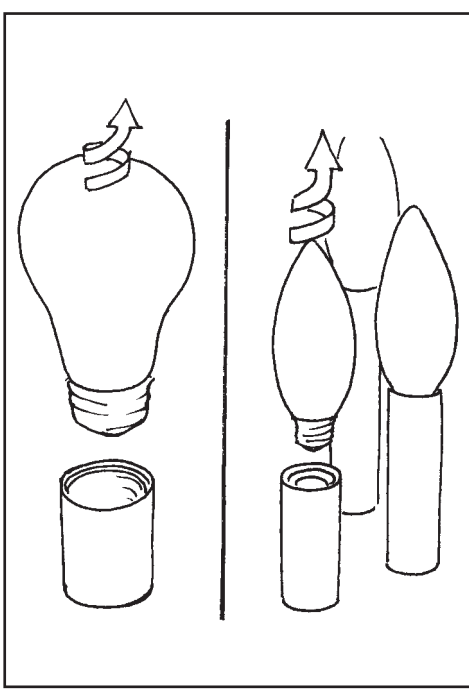
Bulb Replacement For Outdoor Post Mounted Lanterns

Read And Save These Instructions. Refer To Illustrations Below For Opening Fixture And Replacing Bulb(s)

1. **FOR 7331, 7346 & 7339 LANTERNS ONLY**  
Unscrew (counterclockwise) finial from top of lantern.
- 2a. **FOR 7331, 7346 LANTERNS ONLY**  
Remove roof. Swivel and push bar to the side.
- 2b. **FOR 7339 LANTERNS ONLY**  
Remove roof.



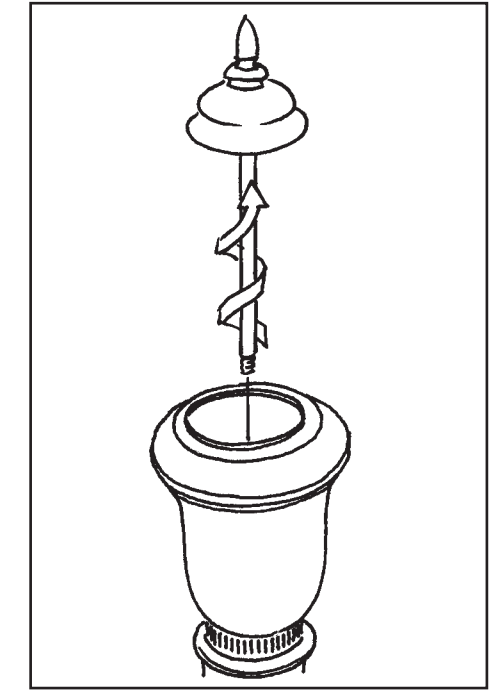
3. Replace bulb(s). Caution: Do not exceed the maximum allowable wattage for this fixture. Refer to warning label attached to fixture.
4. Replace roof and finial.



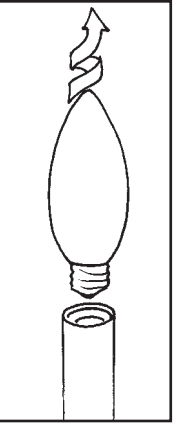
Bulb Replacement For Outdoor Post Mounted Lanterns (continued)

Refer To Illustrations Below For Opening Fixture And Replacing Bulb(s) (continued)

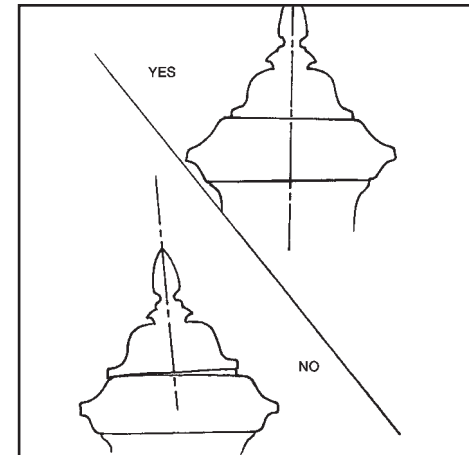
1. **FOR 7326 LANTERNS ONLY**  
Unscrew (counterclockwise) finial, frosted glass and rod assembly from the lantern.  
NOTE: The clear glass globe will be loose. Use caution not to break the glass.
2. Lift assembly up and out of the lantern.



3. Replace bulb(s). Caution: Do not exceed the maximum allowable wattage for this fixture. Refer to warning label attached to fixture.



4. Replace assembly. Make sure that the frosted glass is centered on the top of the lantern. Do not over tighten assembly.



Congratulations!

With your purchase of Lifetime Exterior Lighting, you're among a group of discerning individuals who know the value of selecting the finest – Baldwin.

Exterior lighting coordinates beautifully, enabling you to carry a specific design theme throughout your home.

Our step-by-step installation instructions will help guide you through your project quickly and easily.

Before you begin your installation, read and understand the installation instructions. If you have any questions, please do not hesitate to contact our Baldwin Technical Services Department, 1-800-566-1986. We're here to help!

We thank you for your Baldwin purchase and wish you the fullest enjoyment of your Baldwin Exterior Lighting product.

Technical Services Support  
1-800-566-1986  
Hours: 6 am to Midnight C.S.T.-7days a week.

**Remember Baldwin**

With the completion of your project, remember that Baldwin quality hardware and giftware products are available for all your decorating and remodeling needs. Knob and leversets for interior doors, beautiful bath accessories, and a complete selection of cabinet and door enhancing hardware are all available from your Baldwin retailer.



**Outdoor Post Mounted Lanterns Installation Instructions**

Protected with  
**THE Lifetime FINISH**  
FROM BALDWIN

PATENTS:  
417,925; 417,926; 417,927; 418,243;  
418,244; 418,623; 419,256; 420,162;  
420,459; 420,460; 420,760; 421,461;  
421,504; 421,814; 422,106

